

# Acro™ 50

## VENT FILTER CAPSULE (6074270F)

Acro™ 50 vent filter capsules, product code 6074270F, provide sterile filtration of air, gas and vent service in critical biopharmaceutical and biotechnology applications. They are suitable for the sterile venting of small containers, vessels, carboys, bioreactors, and flexible tubing sets.

These filter capsules incorporate a single-layer 0.2 µm inherently hydrophobic, polytetrafluoroethylene (PTFE) membrane on a polypropylene (PP) support. The filter capsule is made of polypropylene with a stepped hose barb inlet and outlet connections for connection to a range of tubing diameters.

### Certified for pharmaceutical use

Acro 50 vent filter capsules, product code 6074270F, may be used in conformance with current Good Manufacturing Practices (cGMP) in Manufacturing, Processing, Packing or Holding of Drugs per Title 21 of the U.S. Code of Federal Regulations (21 CFR Part 210)(5) and cGMP for Finished Pharmaceuticals (21 CFR Part 211)(6). The filter capsules are manufactured in accordance with an ISO 9001-certified quality management system in a controlled environment and are qualified for use in pharmaceutical cGMP manufacturing. Each filter box has a certificate of test for pharmaceutical-grade sterilizing filters, confirming pharmaceutical industry requirements for fabrication integrity, effluent quality, and biological safety testing. We perform 100% integrity testing on all filter capsules during manufacturing and ensure full traceability by lot number.



Fig 1. Acro 50 vent filter capsule.

## Features and benefits

Feature	Benefit
High air flow	Minimized filter size / footprint
Permanently hydrophobic membrane	Does not wet out during use <sup>1</sup>
Light compact unit	Does not kink flexible tubing
Devices labelled with lot number	Easily traceable
100% integrity tested in manufacturing	Suitable for cGMP applications

<sup>1</sup> With aqueous fluids

## Materials of construction

Membrane	Single-layer 0.2 µm hydrophobic PTFE
Membrane support and capsule shell	PP

This product does not contain materials of construction that are considered specified transmissible spongiform encephalopathy (TSE) / bovine spongiform encephalopathy (BSE) risk materials according to current legislation and guidelines. Acro 50 vent filter capsule components meet requirements for biological reactivity *in vivo* under USP <88> for Class VI – 121°C, and plastics are made from materials listed for food contact usage per Title 21 of the US Code of Federal Regulations (CFR) Parts 170-199.

## Specifications

Maximum operating temperature	40°C
Maximum operating pressure	
– Temperature	Up to 25°C
– Forward direction	4.1 bar (60 psi)
Maximum differential pressure	2.1 bar (30 psi)
Effective filtration area	19.5 cm <sup>2</sup> (0.021 ft <sup>2</sup> )
Dimensions	
– Length	83 mm (3.3 in.)
– Diameter	73 mm (2.9 in.)

## Typical sterilization <sup>2</sup>

Autoclave	5 × 0.5-hour cycles at 125°C
-----------	------------------------------

<sup>2</sup> We determined the autoclave life by testing under controlled laboratory conditions up to the time indicated. Actual operating conditions may affect the filter capsule's resistance to autoclave sterilization and service. Qualify filter capsules for each process. Do not expose these filter capsules to gamma irradiation.

## Integrity test values <sup>3</sup>

Test	Solvent	Test limit
Bubble point	60:40 (v/v) isopropanol / water	Minimum bubble point pressure; 1400 mbar (20.3 psi)
	100% isopropyl alcohol	Minimum bubble point pressure; 1250 mbar (18.0 psi)

<sup>3</sup> Bubble point integrity test limit values listed apply to temperatures of 20°C ± 5°C. During the test period, the temperature of the filter assembly should not vary more than ± 1°C. Acro 50 vent filter capsules should be bubble-point-integrity tested by attaching the gas pressure source to the inlet side of the device. The inlet side of the device is where the product code and lot number are located.

## Typical air flow

> 8 standard liters /minute at 0.2 bard (3 psid) differential pressure

## Ordering information

Description	Pkg	Product code
Acro 50 vent filter capsule with stepped hose barb 6.4 to 12.7 mm (¼ to ½ in.) inlet/outlet connections	72	6074270F

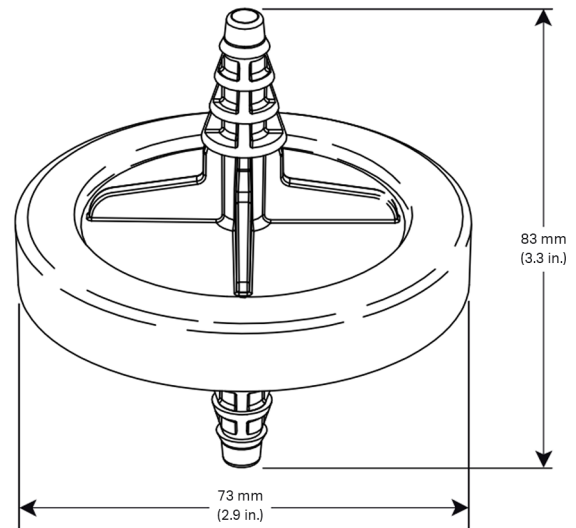


Fig 2. Dimensions of the filter capsule.

## cytiva.com

Cytiva and the Drop logo are trademarks of Life Sciences IP Holdings Corporation or an affiliate doing business as Cytiva.

Acro is a trademark of Global Life Sciences Solutions USA LLC or an affiliate doing business as Cytiva

Any other trademarks are the property of their respective owners.

The Danaher trademark is a proprietary mark of Danaher Corporation.

© 2025 Cytiva

For local office contact information, visit [cytiva.com/contact](https://cytiva.com/contact)

CY54646-26Aug25-DF

