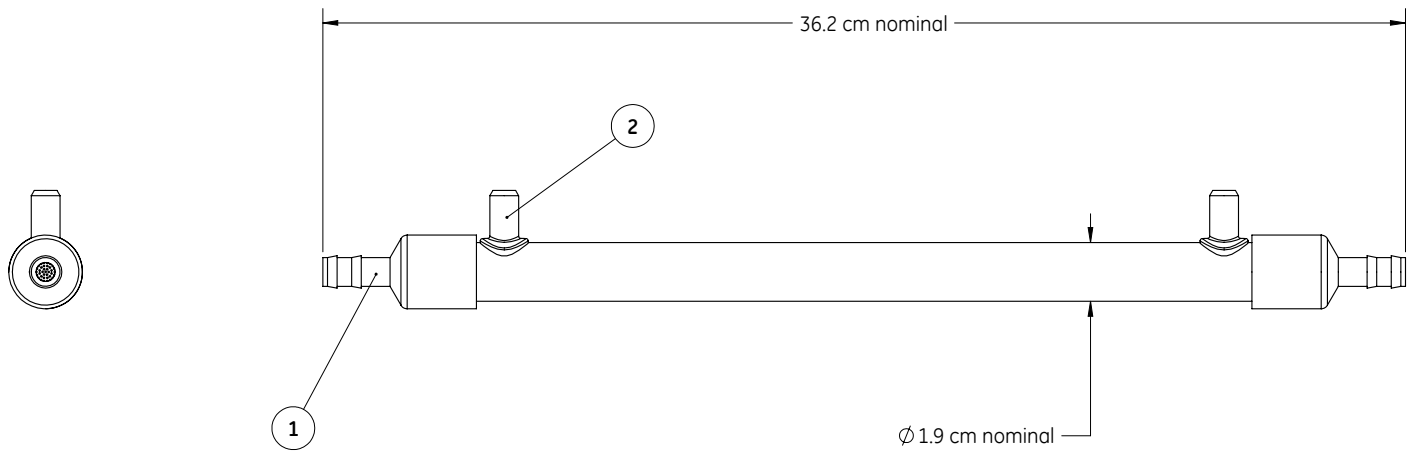


# Hollow Fiber Cartridge, Xampler xFP-x-x-4, Assembly



ITEM	PART NAME	MATERIAL
1	0.375-In Tubing Barb	Polysulfone
2	0.375-In Tubing Nipple	Polysulfone