

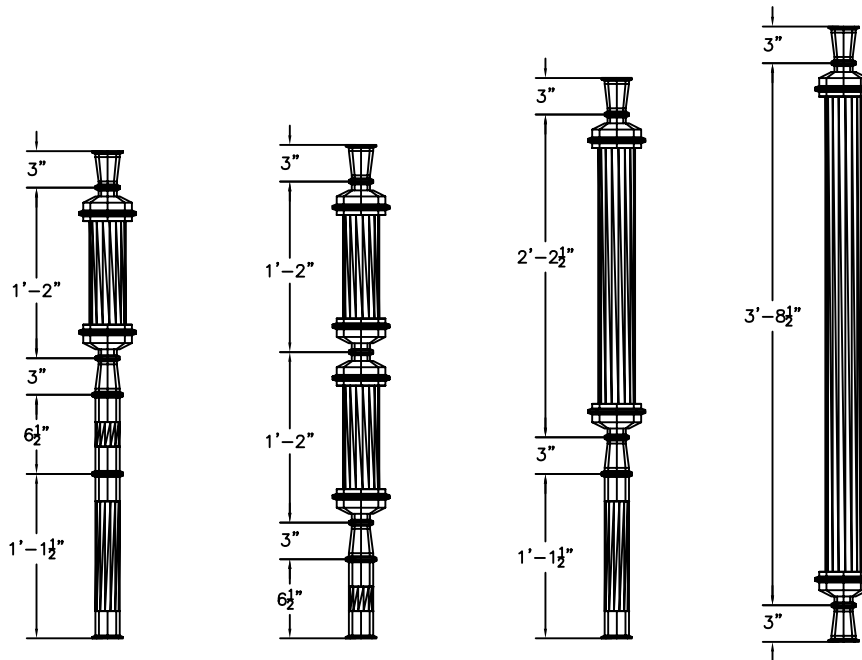
# Installation of spool pieces and connectors for housing sizes 35, 55 and 75 on GrandStand™ systems

35

55

35 (2 serial)

75



imagination at work

GE, imagination at work, and GE monogram are trademarks of General Electric Company.  
GrandStand is a trademark of GE Healthcare companies.  
© 2011 General Electric Company - All rights reserved.  
GE Healthcare Bio-Sciences AB, Björkgatan 30, 751 84 Uppsala, Sweden.