

# AxiChrom 50, 70, and 100 columns

Connection to ÄKTApilot or ÄKTA pilot 600 -  
pivot stand

## Connection guide

### Introduction

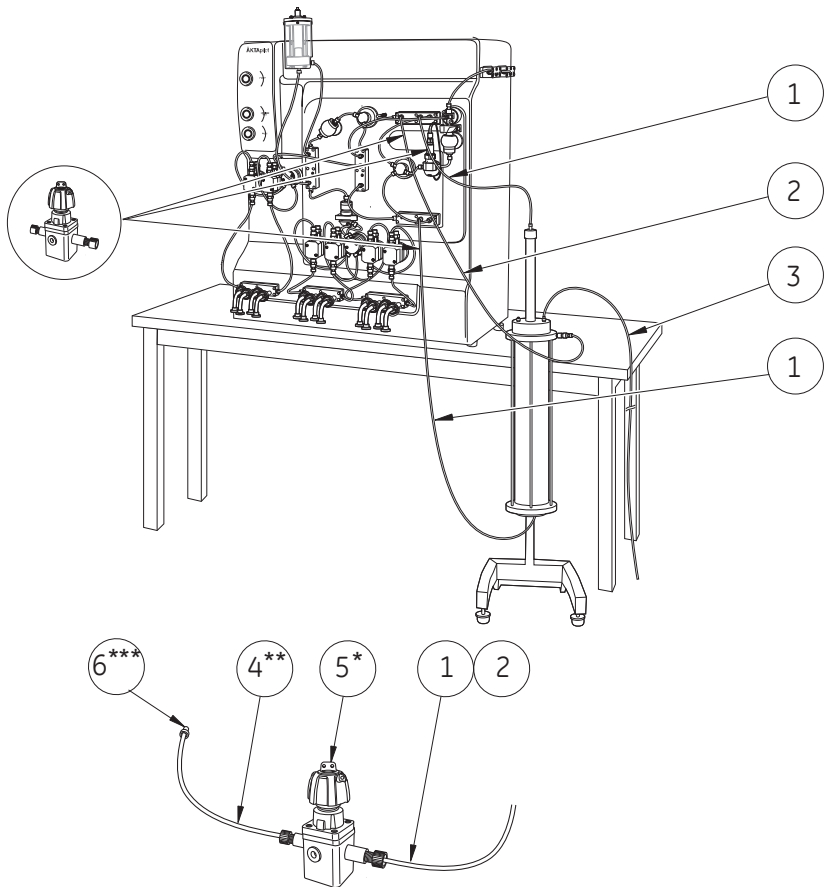
This connection guide describes how to use the tubing kits that allow AxiChrom™ 50-100 columns on a pivot stand to be connected to an ÄKTApilot™ or an ÄKTA™ pilot 600 system.

### Scope

This document only provides information on tubing necessary to connect AxiChrom 50-100 columns on a pivot stand to an ÄKTApilot or an ÄKTA pilot 600 system.

For information about use of the column or connected system, refer to *AxiChrom 50, 70 and 100 columns User Manual*, *ÄKTApilot Operating Instructions*, *ÄKTA pilot 600 Operating Instructions*, and *ÄKTA pilot 600 User Manual*.

# Illustration of connection to ÄKTApilot



\* Not included in the tubing kit, must be ordered separately.

\*\* For use with position 5.

\*\*\* O-rings to be mounted at all tubing ends.

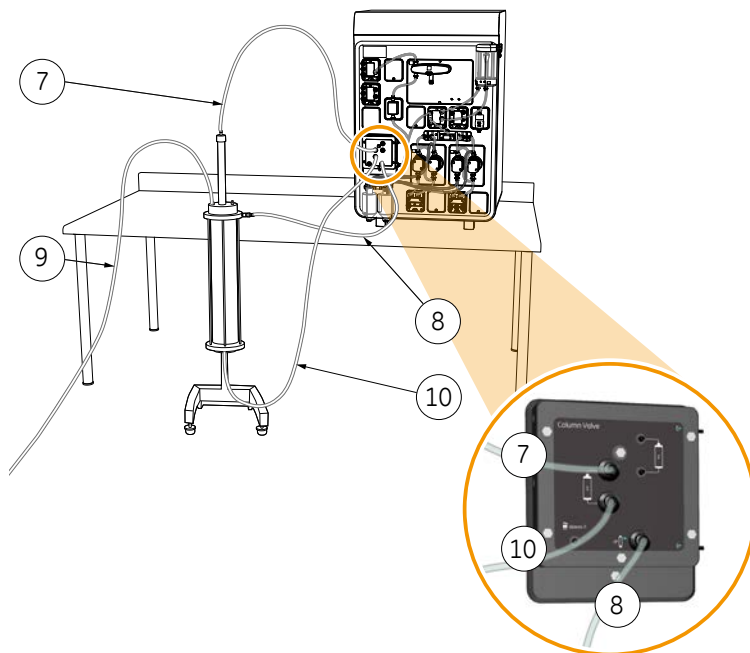
Pos.	28913613 Tubing kit, AxiChrom 50-70, i.d. 1.7 mm/ ÄKTApilot / floor <sup>1</sup>	28913614 Tubing kit AxiChrom 70-100, i.d. 2.9 mm/ ÄKTApilot / floor <sup>2</sup>	Tubing connections
1	i.d. 1.7 mm / L=1600 mm	i.d. 2.9 mm / L=1600 mm	V7-3 ÄKTApilot -> Column top V6-3 ÄKTApilot - >Column bottom
2	i.d. 1.7 mm / L=1200 mm	i.d. 2.9 mm / L=1200 mm	V7-1 -> Column check valve
3	i.d. 1.7 mm / L=1600 mm	i.d. 2.9 mm / L=1600 mm	Column hydraulic chamber outlet -> waste
4	i.d. 1.7 mm / L=200 mm	i.d. 2.9 mm / L=200 mm	For use with Valve 5/16" straight
5 <sup>3</sup>	28907674 Valve 5/16" straight		5/16" female, both valve ends
6	03007291 O-ring 3 × 1		To be mounted at Pos. 4, tubing end

<sup>1</sup> For 70 columns, it is recommended to use the 50 - 70 tubing for media with an approximate bead size < 50µm.

<sup>2</sup> For 70 columns, it is recommended to use the 70 - 100 tubing for media with an approximate bead size > 50µm.

<sup>3</sup> Optional, not included in the tubing kits. The SRV-1 and 5/16 straight valves are good alternatives to stop plugs when the column is moved frequently.

# Illustration of connection to ÄKTA pilot 600



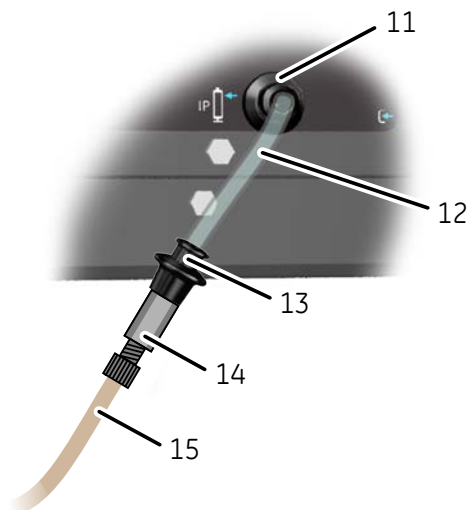
Pos.	28913613 Tubing kit, AxiChrom 50-70, i.d. 1.7 mm/ ÄKTA pilot 600/ floor 1	Tubing connections
7	i.d. 1.7 mm / L=1600 mm	Column valve ÄKTA pilot 600 -> Column top
8	i.d. 1.7 mm / L=1200 mm	Intelligent Packing (IP) port ÄKTA pilot 600 -> Column check valve
9	i.d. 1.7 mm / L=1200 mm	Column hydraulic chamber outlet -> waste
10	i.d. 1.7 mm / L=1600 mm	Column valve ÄKTA pilot 600 -> Column bottom

<sup>1</sup> For 70 columns, it is recommended to use the 50 - 70 tubing for media with an approximate bead size < 50µm.

**Note:** For 100 columns, it is recommended to use the i.d. 3.2 mm tubing that is supplied with the ÄKTA pilot 600 system.

# Tubing connection adapter between column and ÄKTA pilot 600

Tubing connection adapters, included in the tubing kit, must be used for all the tubing connections between the AxiChrom column and the ÄKTA pilot 600.



Part	Function
11	SNAP 3.2 mm connector
12	Tubing, i.d. 3.2 mm / L=200 mm
13	SNAP 3.2 mm connector
14	Union 5/16" in Female - SNAP 3.2 mm
15	Tubing, i.d. 1.7 mm



## [cytiva.com/axichrom](https://cytiva.com/axichrom)

Cytiva and the Drop logo are trademarks of Global Life Sciences IP Holdco LLC or an affiliate.

ÅKTA, ÅKTApilot, and AxiChrom are trademarks of Global Life Sciences Solutions USA LLC or an affiliate doing business as Cytiva.

All other third-party trademarks are the property of their respective owners.

© 2020–2021 Cytiva

All goods and services are sold subject to the terms and conditions of sale of the supplying company operating within the Cytiva business. A copy of those terms and conditions is available on request. Contact your local Cytiva representative for the most current information.

For local office contact information, visit [cytiva.com/contact](https://cytiva.com/contact)

29293380 AD V:4 03/2021