

Allegro™ Ready

STANDARD STORAGE SINGLE-USE SYSTEMS

Delays in biotech projects can lead to revenue loss. With a significantly reduced lead time, our Allegro™ Ready single-use systems have been developed to accelerate implementation and reduce costly delays within your process. As standard designs, they are manufactured using preferred components from our advanced central management system (ACMS) data management system, enabling us to select from a vast pool of qualified and stocked components. In addition to the increased speed from order to delivery, Allegro Ready systems are accompanied by a quality risk management data package that covers the life cycle of the system. Access to our regulatory support documentation also comes as standard, providing full qualification documentation to meet your project milestones and satisfy regulatory requirements.

Typical applications

- Product storage applications across the entire manufacturing process
- Freezing
- Sampling
- Buffer and media storage

Quality standards

- The Allegro systems and associated hardware are manufactured under a quality management system certified to ISO 9001.
- The Allegro biocontainers (Fig 1 and 2) are leak tested during manufacture.
- Allegro biocontainers are manufactured in a controlled environment (ISO 7 in operations).
- The materials of construction of the Allegro biocontainers meet:
 - Biological reactivity *in vivo* for Class VI - 50°C plastics
 - USP 87 (cytotoxicity)
 - ISO 10993 (biological compatibility)
 - USP 661 Physicochemical tests for plastics
 - European Pharmacopoeia (Section 3.1.5)
 - Japanese Pharmacopoeia (Section 61 Part 1)
 - European directive 85/572/EEC for food contact plastic materials



Fig 1. Allegro 2D biocontainer for Allegro Ready single-use systems.



Fig 2. Standard Allegro 500 mL biocontainer with Kleenpak™ Presto sterile connector.

The assembled systems undergo stringent qualification and validation as part of the manufacturing process. Additionally, assembled systems are inspected for quality.

Available configurations for the standard systems are summarized in Tables 1 to 4.

Table 1. Allegro Ready standard system: 2D biocontainer with MPC connectors

Volume	Tubing	Connector	System details ⁽¹⁾	MOQ	Configuration	Product code
50 mL	Platinum cured silicone tubing	MPC male	Line 1: 15 cm ID ¼ in. OD ⅞ in. with needle-free luer sampling valve	24	See Figure 3	7190-1508N
100 mL				24		7190-1508Q
250 mL				24		7190-1508R
500 mL				24		7190-1508T
1 L				24		7190-1511S
2 L				24		7190-1511V
50 mL	Thermoplastic elastomer tubing		Line 1: 15 cm ID ¼ in. OD ⅞ in. with needle-free luer sampling valve	24		7190-1508P
100 mL				24		7190-1508G
250 mL				24		7190-1508S
500 mL				24		7190-1508Y
1 L				24		7190-1511U
2 L				24		7190-1501U
5 L	Platinum cured silicone tubing	MPC male	Line 1: 15 cm ID ¼ in. OD ⅞ in. with needle-free luer sampling valve	24	See Figure 4	7190-1511W
10 L				24		7190-1511Y
20 L		MPC female	Line 2: 50 cm ID ⅜ in. OD ⅝ in. with female MPC connector	12		7190-1512A
50 L				12		7190-1512C
5 L	Thermoplastic elastomer tubing		Line 3: 50 cm ID ⅜ in. OD ⅝ in. with male MPC connector	24		7190-1511X
10 L				24		7190-1511Z
20 L				12		7190-1512B
50 L				12		7190-1512E

⁽¹⁾ One clamp on each tubing, MPC connector closed with MPC cap or plug.

Table 2. Allegro Ready standard system: 3D biocontainer with MPC/tri clamp connectors

Volume	Tubing	Connector	System details ⁽²⁾	MOQ	Configuration	Product code	
50 L	Platinum cured silicone tubing	MPC male MPC female	Inlet 1: 50 cm ID ⅜ in. OD ⅝ in. with male MPC connector Inlet 2: 50 cm ID ⅜ in. OD ⅝ in. with female MPC connector Drain line: 50 cm ID ⅜ in. OD ⅝ in. with male MPC connector Sample line: 20 cm ID ¼ in. OD ⅞ in. with needle-free luer sampling valve	12	See Figure 5	7190-1632T	
100 L				12		See Figure 6	7190-1632V
200 L				12			7190-1632X
50 L	Thermoplastic elastomer tubing		Inlet 1: 50 cm ID ⅜ in. OD ⅝ in. with male MPC connector Inlet 2: 50 cm ID ⅜ in. OD ⅝ in. with female MPC connector Drain line: 50 cm ID ⅜ in. OD ⅝ in. with male MPC connector Sample line: 20 cm ID ¼ in. OD ⅞ in. with needle-free luer sampling valve	12	See Figure 5	7190-1632U	

Volume	Tubing	Connector	System details ⁽²⁾	MOQ	Configuration	Product code
100 L	Thermoplastic elastomer tubing	MPC male	Inlet 1: 50 cm ID ½ in. OD ¾ in. with male MPC connector	12	See Figure 6	7190-1632W
200 L		MPC female	Inlet 2: 50 cm ID ½ in. OD ¾ in. with female MPC connector Drain line: 50 cm ID ½ in. OD ¾ in. with male MPC connector Sample line: 20 cm ID ¼ in. OD ⅞ in. with needle-free luer sampling valve	12		7190-1632Y
500 L	Platinum cured silicone tubing	MPC male	Inlet 1: 50 cm ID ½ in. OD ¾ in. with male MPC connector	6		7190-1632Z
500 L	Thermoplastic elastomer tubing	MPC female	Inlet 2: 50 cm ID ½ in. OD ¾ in. with female MPC connector Drain line: 50 cm ID ½ in. OD ¾ in. with male MPC connector Sample line: 20 cm ID ¼ in. OD ⅞ in. with needle-free luer sampling valve	6		7190-1633A
1000 L	Platinum cured silicone tubing	Tri clamp 1½ in.	Inlet 1: 150 cm ID ¾ in. OD 1⅞ in. with 1½ in. tri clamp connector	6	See Figure 7	7190-1633B
1500 L			Inlet 2: 150 cm ID ¾ in. OD 1⅞ in. with 1½ in. tri clamp connector Drain line: 150 cm ID ¾ in. OD 1⅞ in. with 1½ in. tri clamp connector Sample line: 20 cm ID ¼ in. OD ⅞ in. with needle-free luer sampling valve	6		7190-1633D
1000 L	Thermoplastic elastomer tubing	Tri clamp 1½ in.	Inlet 1: 150 cm ID ¾ in. OD 1⅞ in. with 1½ in. tri clamp connector	6		7190-1633C
1500 L			Inlet 2: 150 cm ID ¾ in. OD 1⅞ in. with 1½ in. tri clamp connector Drain line: 150 cm ID ¾ in. OD 1⅞ in. with 1½ in. tri clamp connector Sample line: 20 cm ID ¼ in. OD ⅞ in. with needle-free luer sampling valve	6		7190-1633E
2000 L	Platinum cured silicone tubing	Tri clamp 1½ in.	Inlet 1: 400 cm ID ¾ in. OD 1⅞ in. with 1½ in. tri clamp connector	6	See Figure 8	7190-1633F
3000 L			Inlet 2: 400 cm ID ¾ in. OD 1⅞ in. with 1½ in. tri clamp connector Sample line: 30 cm ID ¼ in. OD ⅞ in. with needle-free luer sampling valve	6		7190-1633H
2000 L	Thermoplastic elastomer tubing		Inlet 1: 400 cm ID ¾ in. OD 1 in. with 1½ in. tri clamp connector	6		7190-1633G
3000 L			Inlet 2: 400 cm ID ¾ in. OD 1 in. with 1½ in. tri clamp connector Sample line: 30 cm ID ¼ in. OD ⅞ in. with needle-free luer sampling valve	6		7190-1633J

⁽²⁾ One clamp on each tubing, MPC connector closed with MPC cap or plug tri clamp connector closed with tri clamp cap.

Table 3. Allegro Ready standard system: 2D biocontainer with Kleenpak Presto sterile connector

Volume	Tubing	Connector	System details ⁽³⁾	MOQ	Configuration	Product code
50 mL	Platinum cured silicone tubing	Kleenpak Presto sterile connector	Line 1: 15 cm ID ¼ in. OD ⅞ in. with needle-free luer sampling valve	24	See Figure 9	7190-1367L
100 mL			Line 2: 30 cm ID ¼ in. OD ⅞ in. with Kleenpak Presto connector	24		7190-1367Q
250 mL				24		7190-1367T
500 mL			Line 3: sealed off port	24		7190-1367W
1 L				24		7190-1367Y
2 L				24		7190-1485B

Volume	Tubing	Connector	System details ⁽³⁾	MOQ	Configuration	Product code
50 mL	Thermoplastic elastomer tubing	Kleenpak Presto sterile connector	Line 1: 15 cm ID ¼ in. OD ⅞ in. with needle-free luer sampling valve	24	See Figure 9	7190-1367M
100 mL			Line 2: 50 cm ID ¼ in. OD ⅞ in. with Kleenpak Presto connector	24		7190-1367N
250 mL			Line 3: sealed off port	24		7190-1367U
500 mL				24		7190-1367V
1 L				24		7190-1367Z
2 L				24		7190-1485E
5 L	Platinum cured silicone tubing	Kleenpak Presto sterile connector	Line 1: 15 cm ID ¼ in. OD ⅞ in. with needle-free luer sampling valve	24	See Figure 10	7190-1485F
10 L			Line 2: 50 cm ID ⅜ in. OD ⅝ in. with Kleenpak Presto connector	24		7190-1485L
20 L			Line 3: 50 cm ID ⅜ in. OD ⅝ in. with Kleenpak Presto connector	12		7190-1485M
50 L			Line 4: sealed off port	12		7190-1485Q
5 L	Thermoplastic elastomer tubing	Kleenpak Presto sterile connector	Line 1: 15 cm ID ¼ in. OD ⅞ in. with needle-free luer sampling valve	24	See Figure 10	7190-1527F
10 L			Line 2: 50 cm ID ⅜ in. OD ⅝ in. with Kleenpak Presto connector	24		7190-1485J
20 L			Line 3: 50 cm ID ⅜ in. OD ⅝ in. with Kleenpak Presto connector	12		7190-1485N
50 L			Line 4: sealed off port	12		7190-1485P

⁽³⁾ One clamp on each tubing.

Table 4. Allegro Ready standard system: 3D biocontainer with Kleenpak Presto sterile connector

Volume	Tubing	Connector	System details ⁽⁴⁾	MOQ	Configuration	Product code
50 L	Platinum cured silicone tubing	Kleenpak Presto sterile connector	Inlet 1: 50 cm ID ⅝ in. OD ⅞ in. with Kleenpak Presto connector	12	See Figure 11	7190-1494T
			Inlet 2: 50 cm ID ⅝ in. OD ⅞ in. with Kleenpak Presto connector			
			Drain line: 50 cm ID ⅝ in. OD ⅞ in. with Kleenpak Presto connector			
			Sample line: 20 cm ID ¼ in. OD ⅞ in. with needle-free luer sampling valve			
100 L			Inlet 1: 50 cm ID ½ in. OD ¾ in. with Kleenpak Presto connector	12	See Figure 12	7190-1494W
200 L			Inlet 2: 50 cm ID ½ in. OD ¾ in. with Kleenpak Presto connector			
			Drain line: 50 cm ID ½ in. OD ¾ in. with Kleenpak Presto connector			
			Sample line: 20 cm ID ¼ in. OD ⅞ in. with needle-free luer sampling valve			
50 L	Thermoplastic elastomer tubing	Kleenpak Presto sterile connector	Inlet 1: 50 cm ID ⅝ in. OD ⅞ in. with Kleenpak Presto connector	12	See Figure 11	7190-1494U
			Inlet 2: 50 cm ID ⅝ in. OD ⅞ in. with Kleenpak Presto connector			
			Drain line: 50 cm ID ⅝ in. OD ⅞ in. with Kleenpak Presto connector			
			Sample line: 20 cm ID ¼ in. OD ⅞ in. with needle-free luer sampling valve			
100 L			Inlet 1: 50 cm ID ½ in. OD ¾ in. with Kleenpak Presto connector	12	See Figure 12	7190-1494Y
200 L			Inlet 2: 50 cm ID ½ in. OD ¾ in. with Kleenpak Presto connector			
			Drain line: 50 cm ID ½ in. OD ¾ in. with Kleenpak Presto connector			
			Sample line: 20 cm ID ¼ in. OD ⅞ in. with needle-free luer sampling valve			
500 L	Platinum cured silicone tubing	Kleenpak Presto sterile connector	Inlet 1: 150 cm ID ½ in. OD ¾ in. with Kleenpak Presto connector	6	See Figure 12	7190-1495G
500 L			Thermoplastic elastomer tubing			
			Drain line: 150 cm ID ½ in. OD ¾ in. with Kleenpak Presto connector			
			Sample line: 20 cm ID ¼ in. OD ⅞ in. with needle-free luer sampling valve			

Volume	Tubing	Connector	System details ⁽⁴⁾	MOQ	Configuration	Product code
1000 L	Platinum cured silicone tubing	Kleenpak Presto sterile connector	Inlet 1: 150 cm ID 3/4 in. OD 1 1/8 in. with Kleenpak Presto connector	6	See Figure 12	7190-1496N
1500 L			Inlet 2: 150 cm ID 3/4 in. OD 1 1/8 in. with Kleenpak Presto connector	6		7190-1496Q
1000 L	Thermoplastic elastomer tubing	Kleenpak Presto sterile connector	Drain line: 150 cm ID 3/4 in. OD 1 1/8 in. with Kleenpak Presto connector	6		7190-1496P
1500 L			Sample line: 20 cm ID 1/4 in. OD 7/16 in. with needle-free luer sampling valve	6		7190-1496R
2000 L	Platinum cured silicone tubing	Kleenpak Presto sterile connector	Inlet 1: 400 cm ID 3/4 in. OD 1 1/8 in. with Kleenpak Presto connector	6	See Figure 13	7190-1496T
3000 L			Inlet 2: 400 cm ID 3/4 in. OD 1 1/8 in. with Kleenpak Presto connector	6		7190-1496W
2000 L	Thermoplastic elastomer tubing	Kleenpak Presto sterile connector	Sample line: 30 cm ID 1/4 in. OD 7/16 in. with needle-free luer sampling valve			
3000 L			Inlet 1: 400 cm ID 3/4 in. OD 1 in. with Kleenpak Presto connector	6		7190-1496U
			Inlet 2: 400 cm ID 3/4 in. OD 1 in. with Kleenpak Presto connector	6		7190-1496X
			Sample line: 30 cm ID 1/4 in. OD 7/16 in. with needle-free luer sampling valve			

⁽⁴⁾ One clamp on each tubing.

Technical specifications

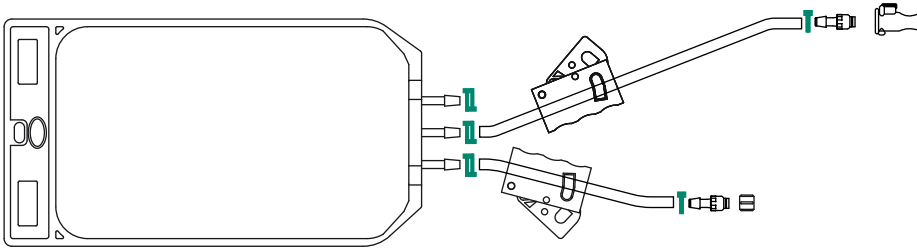


Fig 3. 2D biocontainer with MPC male and needle-free luer sampling valve.

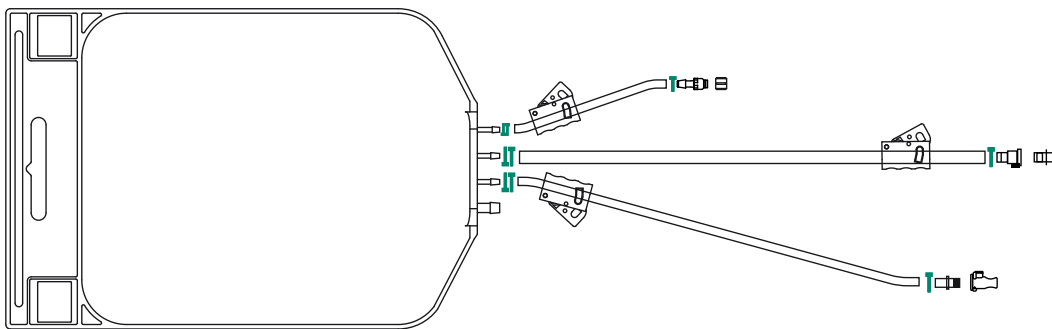


Fig 4. 2D biocontainer with MPC male, MPC female and needle-free luer sampling valve.

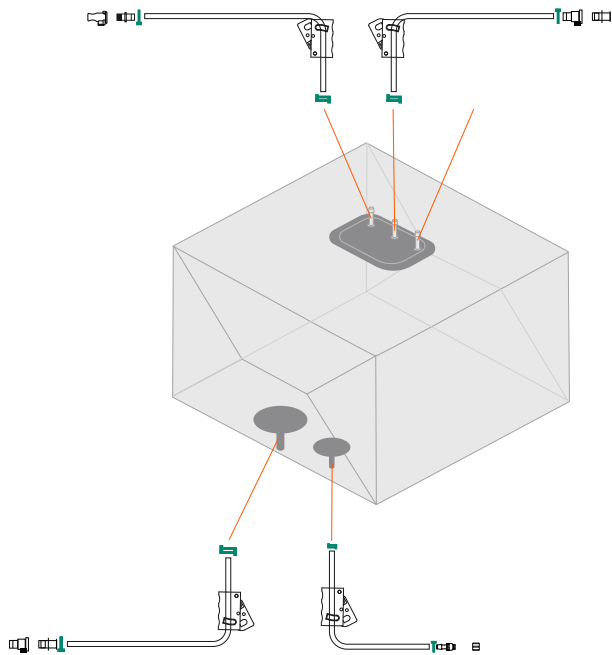


Fig 5. 3D biocontainer with 2 inlets (MPC male, MPC female), 1 outlet (MPC male) and needle-free luer sampling valve.

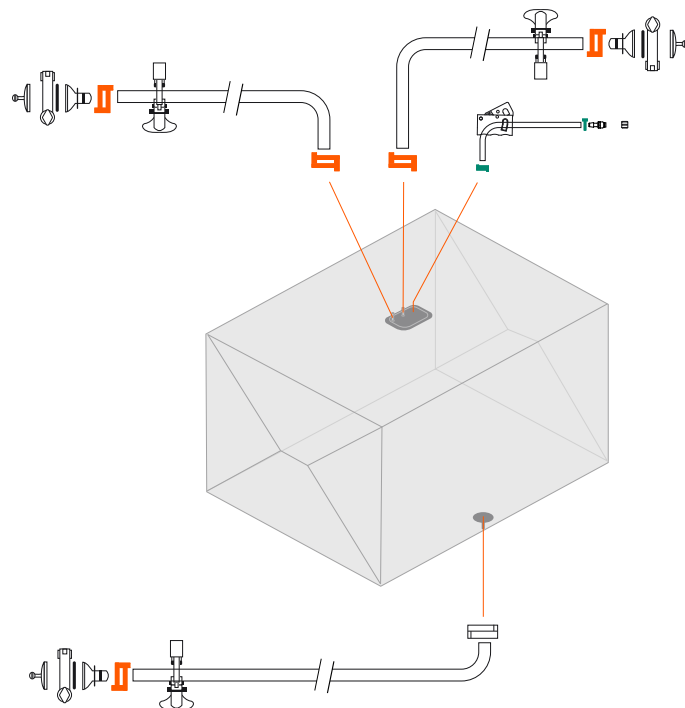


Fig 7. 3D biocontainer with 2 inlets (1 1/2 in. tri clamp), 1 outlet (1 1/2 in. tri clamp) and needle-free luer sampling valve.

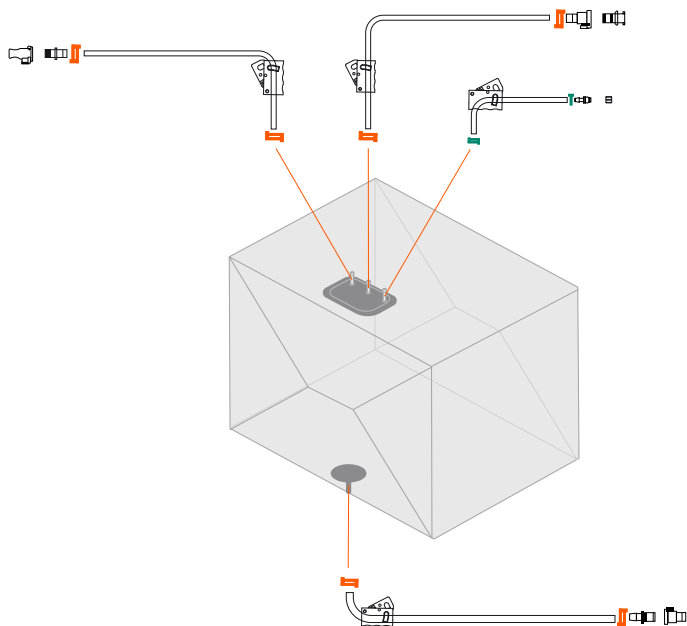


Fig 6. 3D biocontainer with 2 inlets (MPC male, MPC female), 1 outlet (MPC male) and needle-free luer sampling valve.

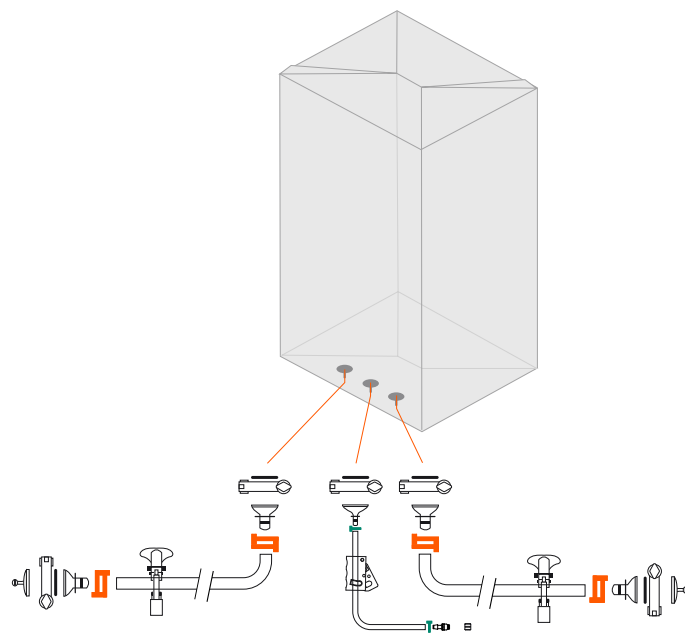


Fig 8. 3D biocontainer with 1 inlet (1 1/2 in. tri clamp), 1 outlet (1 1/2 in. tri clamp) and needle-free luer sampling valve.

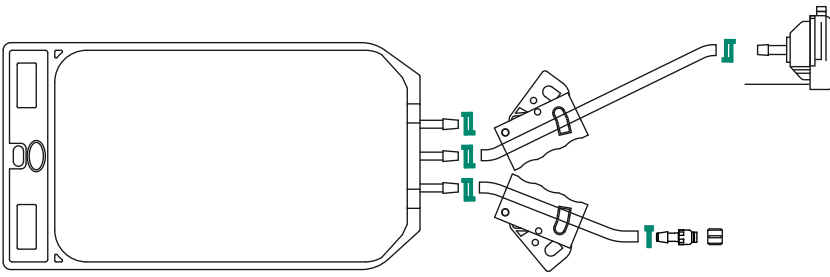


Fig 9. 2D biocontainer with Kleenpak Presto sterile connector and needle-free luer sampling valve.

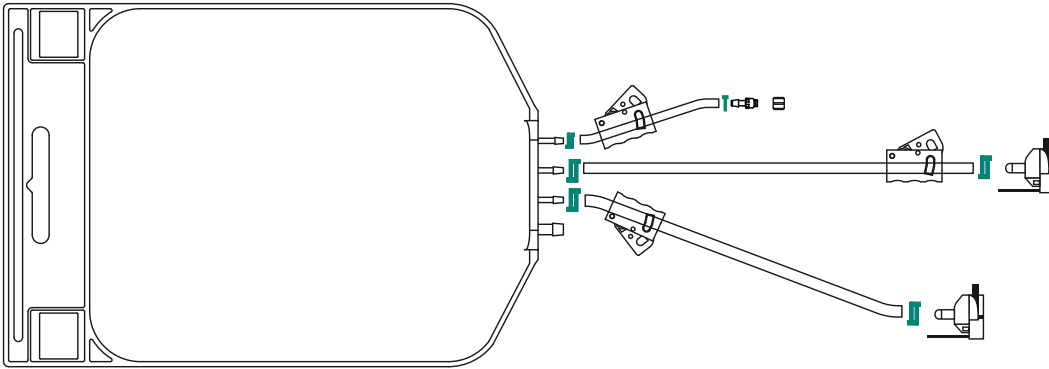


Fig 10. 2D biocontainer with 2 Kleenpak Presto sterile connectors and needle-free luer sampling valve.

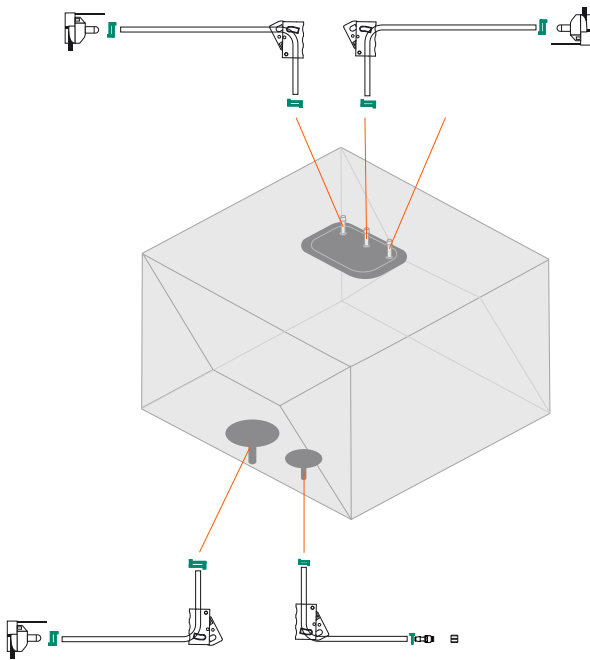


Fig 11. 3D biocontainer with 2 inlets (Kleenpak Presto sterile connector), 1 outlet (Kleenpak Presto sterile connector) and needle-free luer sampling valve.

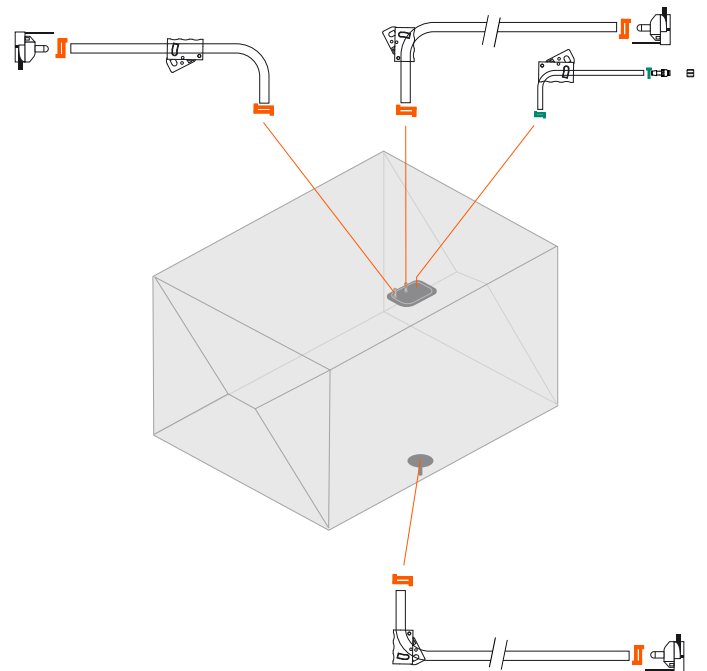


Fig 12. 3D biocontainer with 2 inlets (Kleenpak Presto sterile connector), 1 outlet (Kleenpak Presto sterile connector) and needle-free luer sampling valve.

Disclaimer

By ordering the above standard products the customer agrees to the specifications mentioned here. Any deviations on the above specifications need to be requested before ordering and will be treated as customized and bespoke.

Packaging

- Each unit placed is double bagged and heat sealed
- Supplied in box quantities
- Gamma irradiated
- In order to reduce our carbon footprint, we strive to provide single-use systems manufactured regionally. However, to increase security of supply you may receive product from multiple global sites.

Documentation

The documentation supplied with these systems is as follows:

- System certificate
- Irradiation certificate

Ordering information

To order these standard Allegro systems, please contact us and quote the desired product code listed in the tables above or go to [cytiva.com](https://www.cytiva.com)

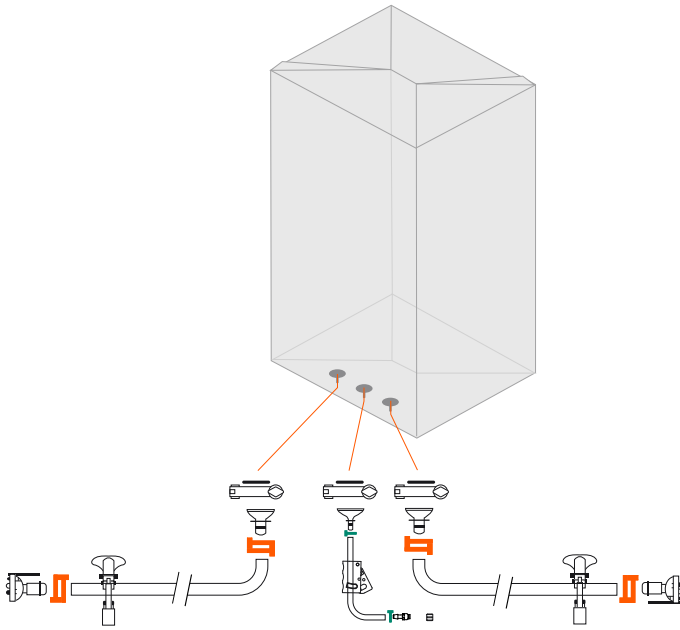


Fig 13. 3D biocontainer with 1 inlet (Kleenpak Presto sterile connector), 1 outlet (Kleenpak Presto sterile connector) and needle-free luer sampling valve.

cytiva.com

Cytiva and the Drop logo are trademarks of Life Sciences IP Holdings Corporation or an affiliate doing business as Cytiva.

Allegro and Kleenpak are trademarks of Global Life Sciences Solutions USA LLC or an affiliate doing business as Cytiva.

Any other third-party trademarks are the property of their respective owners.

© 2023 Cytiva

For local office contact information, visit [cytiva.com/contact](https://www.cytiva.com/contact)

CY40875-13Dec23-DF

